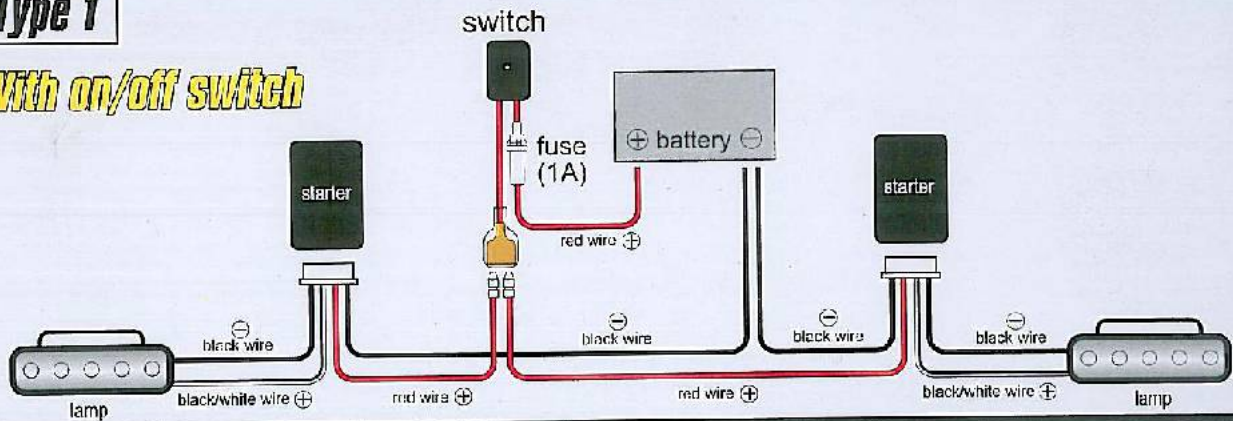


## Electrical connection

### Type 1

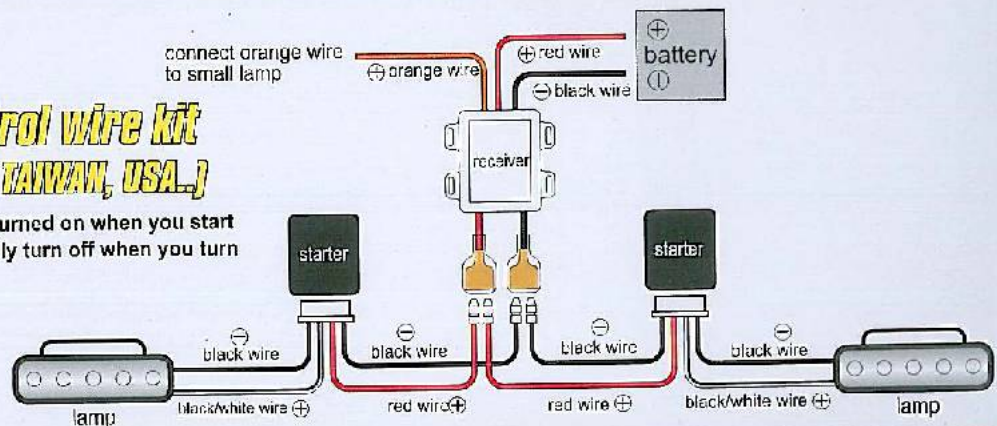
#### With on/off switch



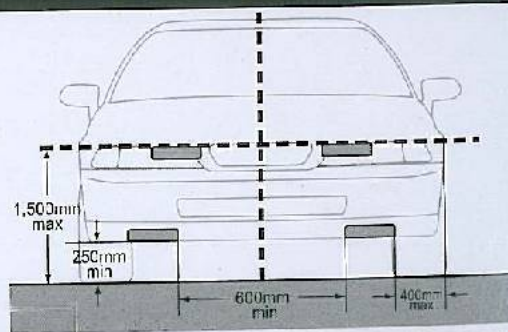
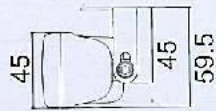
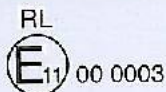
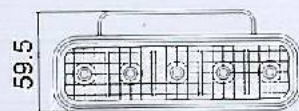
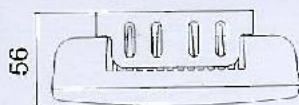
### Type 2

#### DRL circuit control wire kit (PATENT FOR JAPAN, TAIWAN, USA...)

Lamps will be automatically turned on when you start your car, and will automatically turn off when you turn on your usual headlight.



### Size:mm



MYCARR LIGHTING TECHNOLOGY CO., LTD.  
<http://www.mycarr.com>



Tento dokument byl zhotoven v Print2PDF.

Po registraci Print2PDF se tato informace nebude zobrazovat.

Produkt Print2PDF lze zakoupit na <http://www.software602.cz>